



# Technical Data

Specification & Capacities

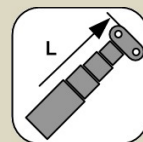


## SPX527CDH

S.N: \_\_\_\_\_



18,7kW/25,0Hp



3,4-12,1m



2700kg



EN 13000 B30.5

[m] [kg]





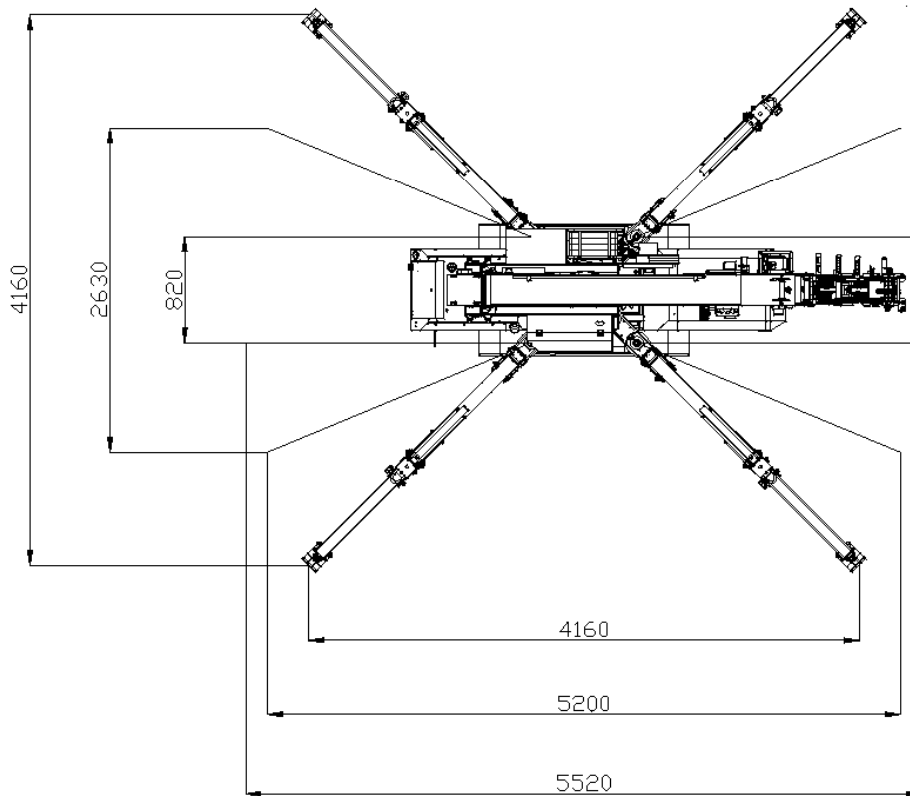
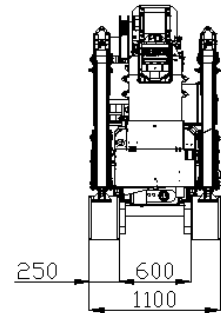
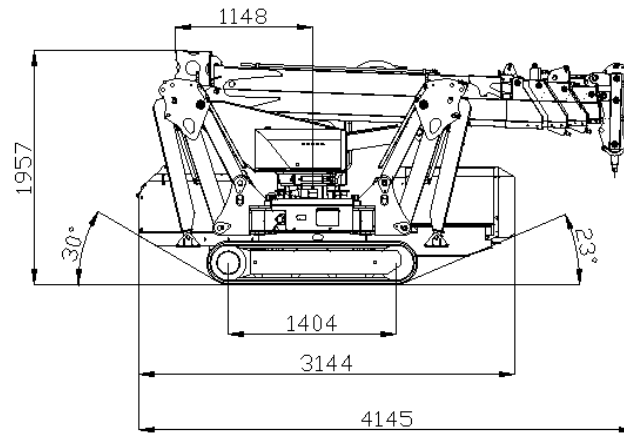
Via Campardone, 7  
31014 Colle Umberto – Italy  
Tel. +39 0438 434443  
Mail: info@jekko.it  
Web: www.jekko.it

Date	07/10/2015
REV.	7



**SPK527**

# SPX527CDH - OVERALL DIMENSIONS



		kg
		3600
		0
<b>Tot.</b>		<b>3600</b>

	km/h	2,0
	25°	
	kg/cm <sup>2</sup>	0,53
	kg	2700

	-2°/80°	35s
	360°	1,0 rpm
	m	3,4-12,1
		40s

	ISUZU 3CB1		kW 18,7kW 25,0Hp	
			DIESEL	
			l	20

**HOIST PERFORMANCE**

Layer	Max Line Pull	Normal Line Speed	High Line Speed
	kg	m/min	m/min
1	1.371 (*)	34,4	N/A
2	1.257 (*)	37,5	N/A
3	1.161 (*)	40,6	N/A

(\*) 900kg LMI limited

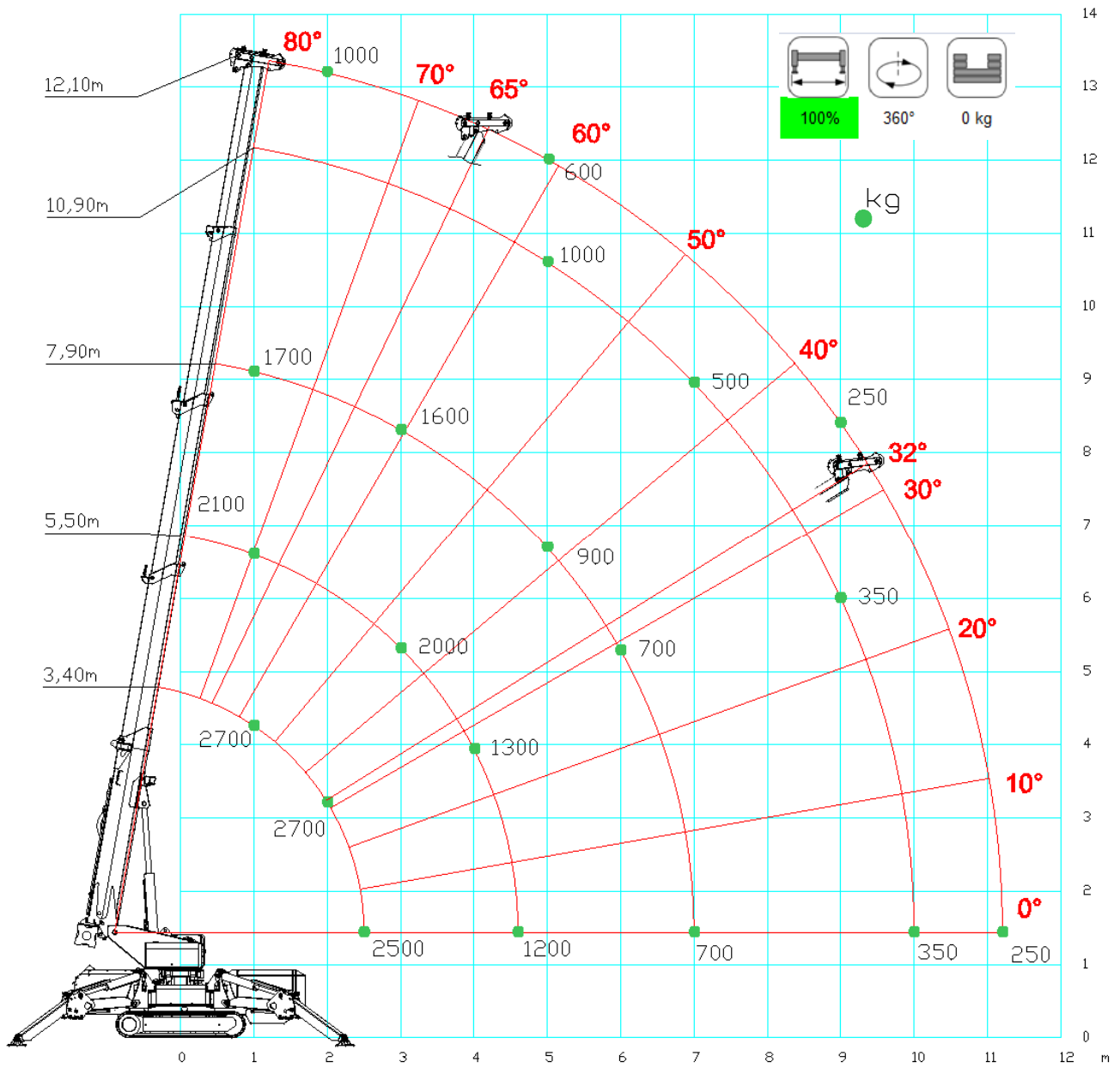
Wire Rope	Diameter	Tot. Length	Max Load
	mm	m	kg
19x7 right lang lay Non rotating	8	60	5.435

**HOOK BLOCK**

LOAD	No. of	
	Sheaves	Lines
2700	2	3
1800	1	2
900		1



## SPX527CDH – MAIN BOOM





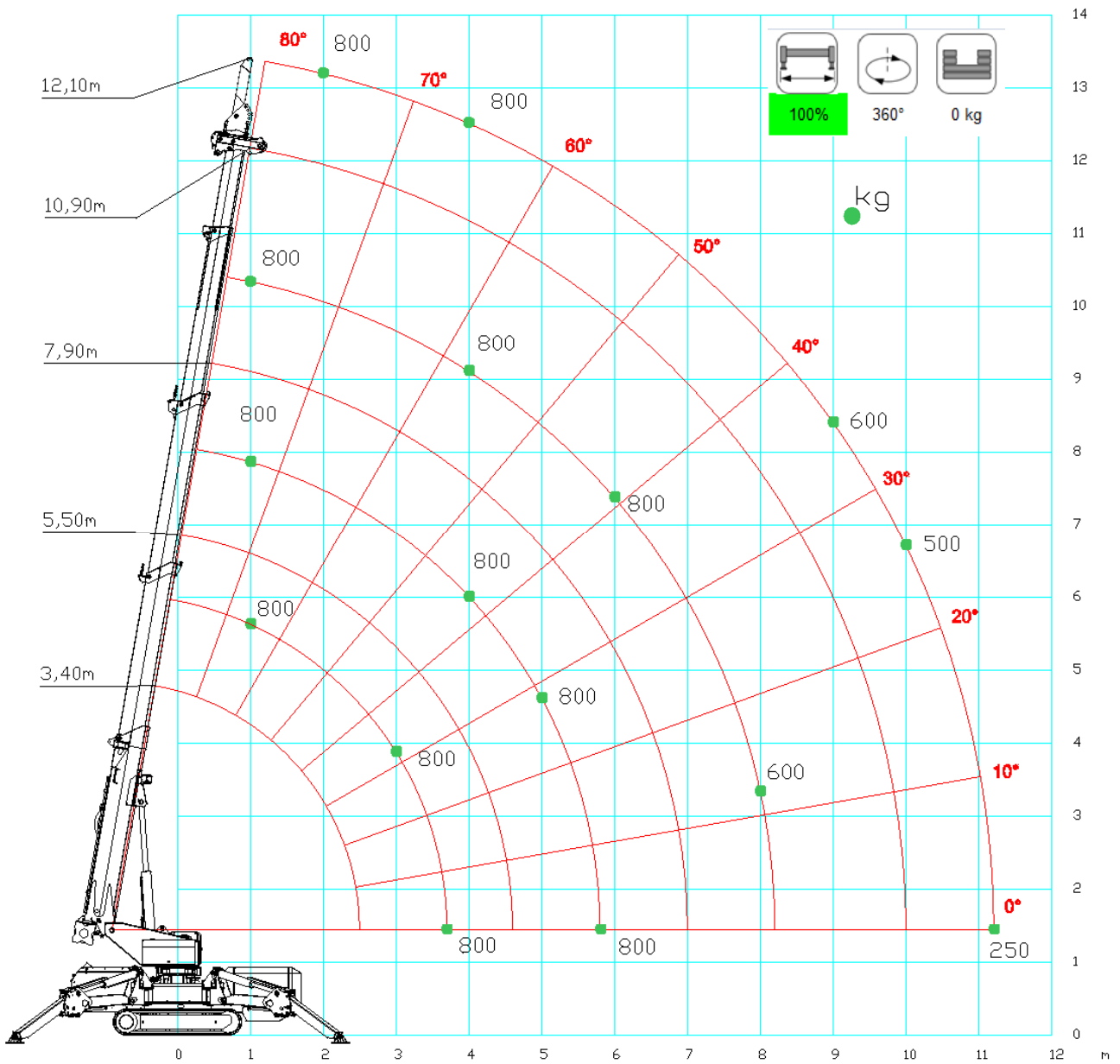
[m] [kg]										
		100%	360°	0 kg						
	3,4	4,4	5,5	6,2	6,9	7,9	8,9	9,9	10,9	12,1
1,0	2700	2500	2100	1900	1800	1700	1600			
2,0	2700	2500	2100	1900	1700	1600	1600	1400	1300	1000
2,5	2500	2300	2000	1800	1700	1600	1500	1400	1300	1000
3,0	2500	2300	2000	1800	1700	1600	1500	1300	1200	1000
4,0		1300	1300	1300	1300	1200	1200	1100	1000	900
4,6			1200	1100	1100	1100	1100	1000	900	700
5,0				1000	1000	900	900	800	700	600
6,0				900	900	700	700	600	600	500
7,0						700	600	500	500	400
8,0							600	500	400	350
9,0								450	350	250
10,0									350	250
11,2										250

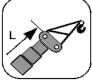
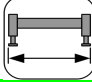
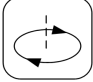

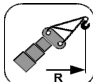
SPX0527.00.02.000.1.05.15.A

[m] [kg]				
			180°	0 kg
	3,4	4,4	5,5	
1,0	300	250	200	
2,0	500	300	200	
2,5	400	250	200	
3,0	200	200	200	

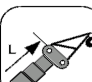
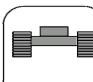

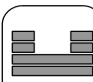
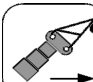
SPX0527.00.03.000.1.05.15.A

## SPX527CDH + JIB800G



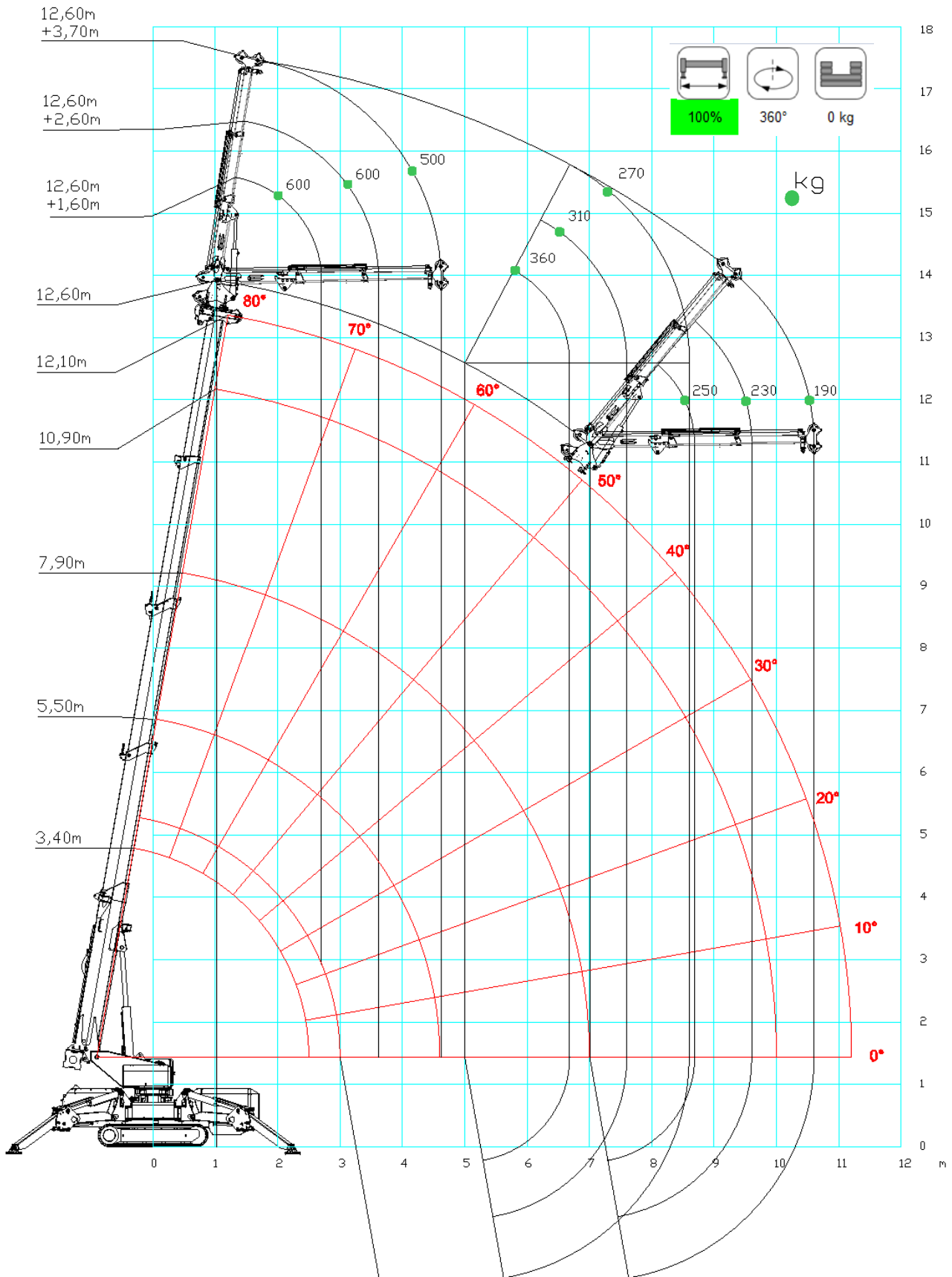
[m] [kg]										
	JIB800G	100%	360°	0 kg						
	3,4	4,4	5,5	6,2	6,9	7,9	8,9	9,9	10,9	12,1
1,0	800	800	800	800	800	800	800	800	800	800
2,0	800	800	800	800	800	800	800	800	800	800
2,5	800	800	800	800	800	800	800	800	800	800
3,0	800	800	800	800	800	800	800	800	800	800
4,0	800	800	800	800	800	800	800	800	800	800
4,6		800	800	800	800	800	800	800	800	700
5,0			800	800	800	800	800	800	700	600
6,0			800	800	800	700	700	600	600	500
7,0				700	700	700	700	500	500	400
8,0					600	600	600	500	400	350
9,0						450	450	450	350	250
10,0							350	350	350	250
11,2								250	250	250

SPX0527.00.02.310.2.05.15.A

[m] [kg]				
	JIB800G		180°	0 kg
	2,2	3,8		
1,0	200	100		
3,9	200	100		

SPX0527.00.03.310.2.05.15.A

## SPX527CDH + JIB600.2H



[m] [kg]					
	JIB600.2H	100%	360°	0 kg	
	1,6	2,1	2,6	3,1	3,7
1,0	600	600	600	520	500
3,0	600	600	600	520	450
4,0	600	550	470	420	380
5,0	360	330	310	290	270
6,0	250	240	230	210	190
7,1	250	240	230	210	190

SPX0527.00.02.200.1.05.15.A

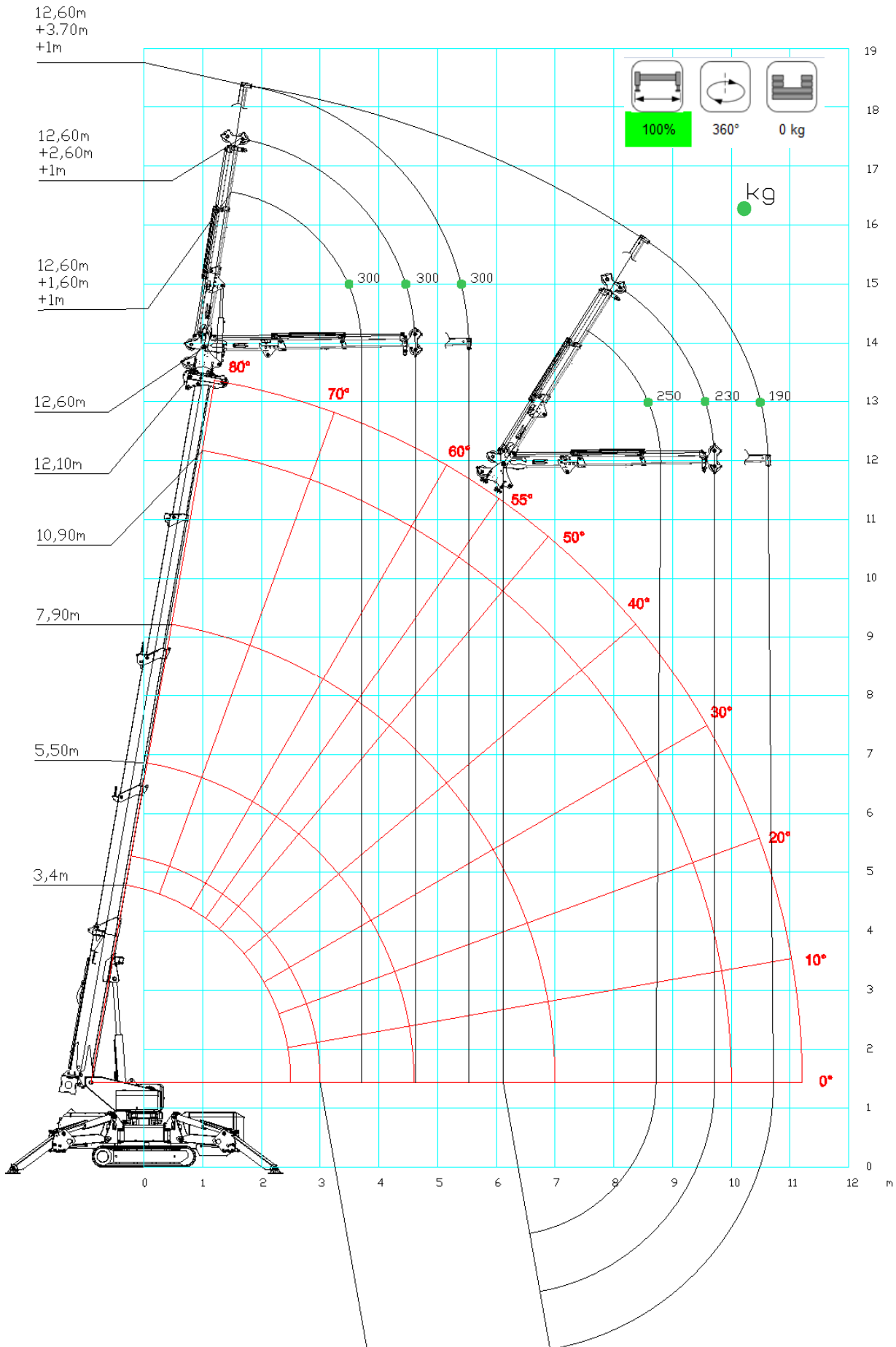
[m] [kg]					
	JIB600.2H		0°-180°	0 kg	
	1,6	1,8			
2,0	200	100			
3,2	200	100			

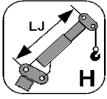
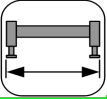
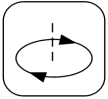
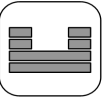
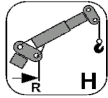
SPX0527.00.03.200.1.05.15.A



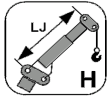
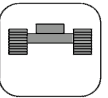

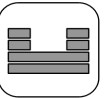
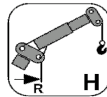
**SPK527**

**SPX527CDH + JIB600.2H+Stinger**



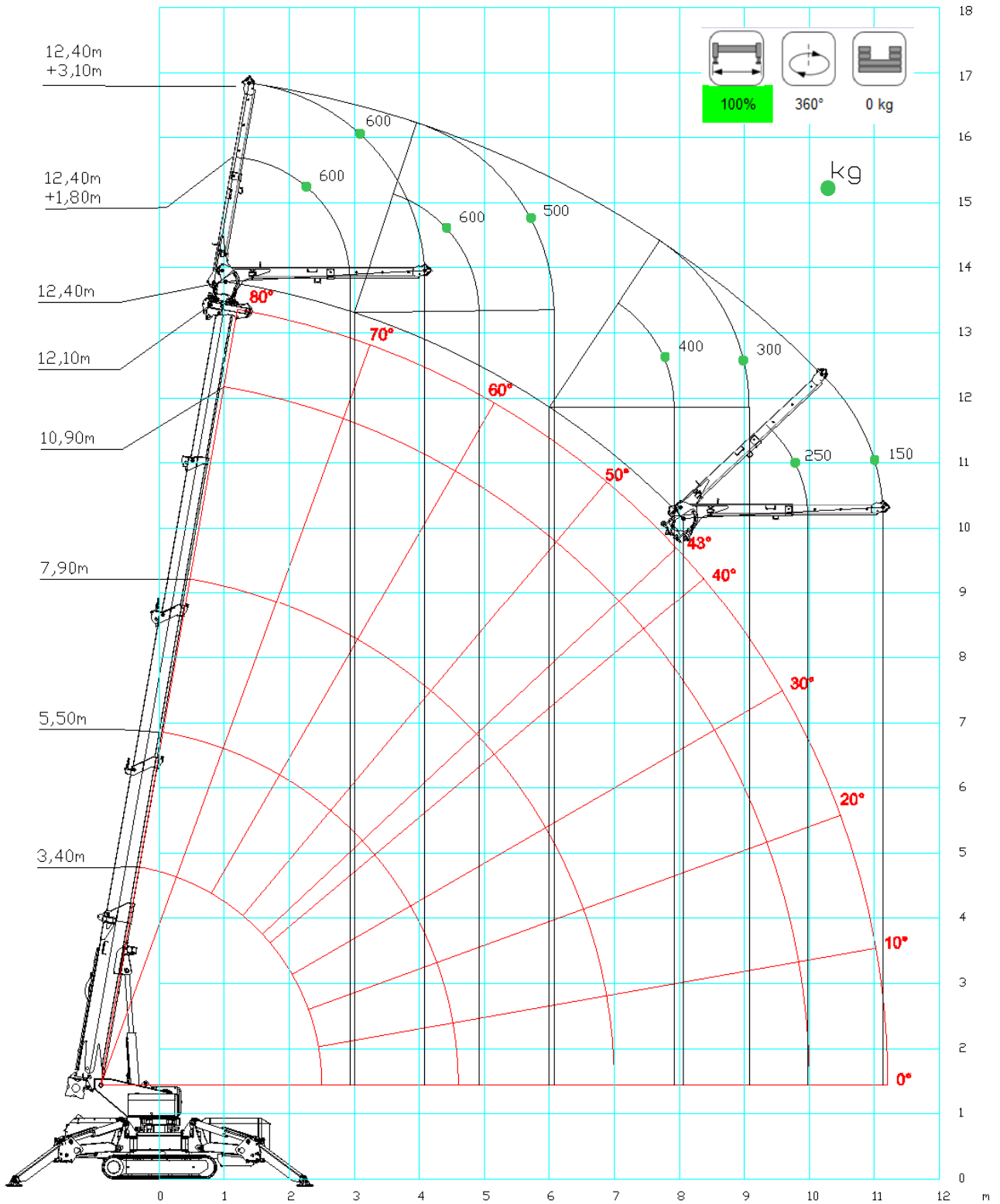
[m] kg				
 JIB600.2H +1Stinger	100%	360°	0 kg	
	2,1	2,6	3,1	3,7
1,0	300	300	300	300
3,0	300	300	300	300
4,0	300	300	300	300
5,0	300	300	290	270
6,1	240	230	210	190

SPX0527.00.02.201.2.05.15.A

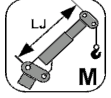
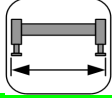
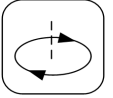
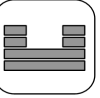
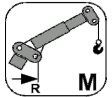
[m] kg				
 JIB600.2H +1Stinger			0°-180°	0 kg
	1,6	1,8		
2,0	200	100		
3,2	200	100		

SPX0527.00.03.201.2.05.15.A

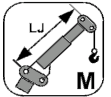
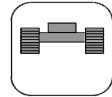

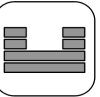
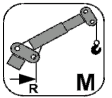
## SPX527CDH + JIB600.1M





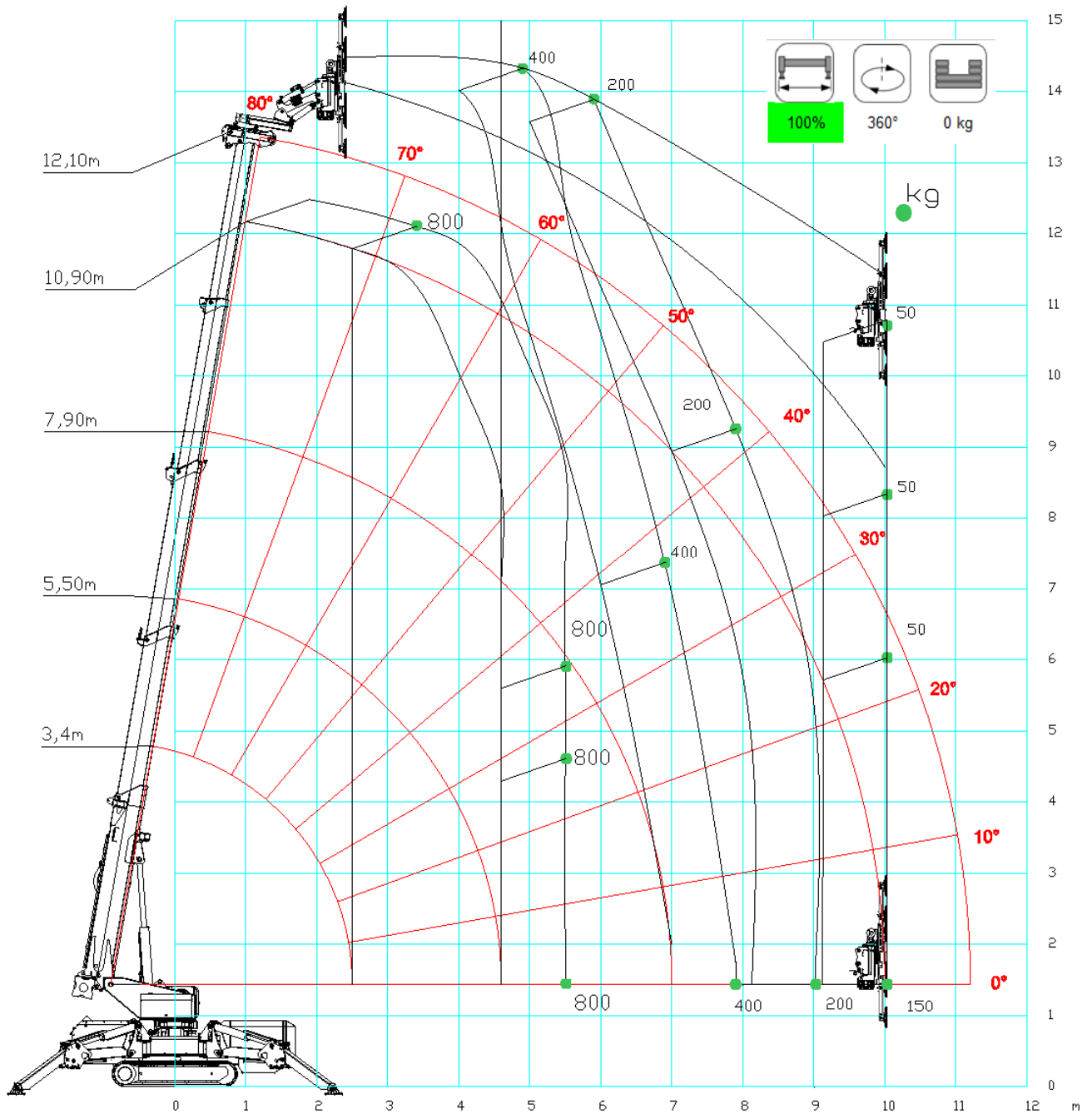
[m] [kg]				
	JIB600.1M	100%	360°	0 kg
	1,8	3,1		
1,0	600	600		
3,0	600	500		
6,0	400	300		
8,1	250	150		

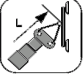
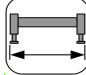
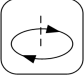
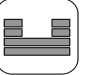
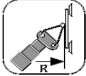
SPX0527.00.02.110.1.05.15.A

[m] [kg]				
	JIB600.1M		0°-180°	0 kg
	1,8	3,1		
2,0	200	100		
3,2	200	100		

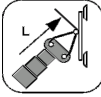

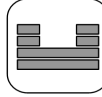
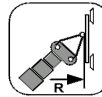
SPX0527.00.03.110.1.05.15.A

## SPX527CDH + MR800.4



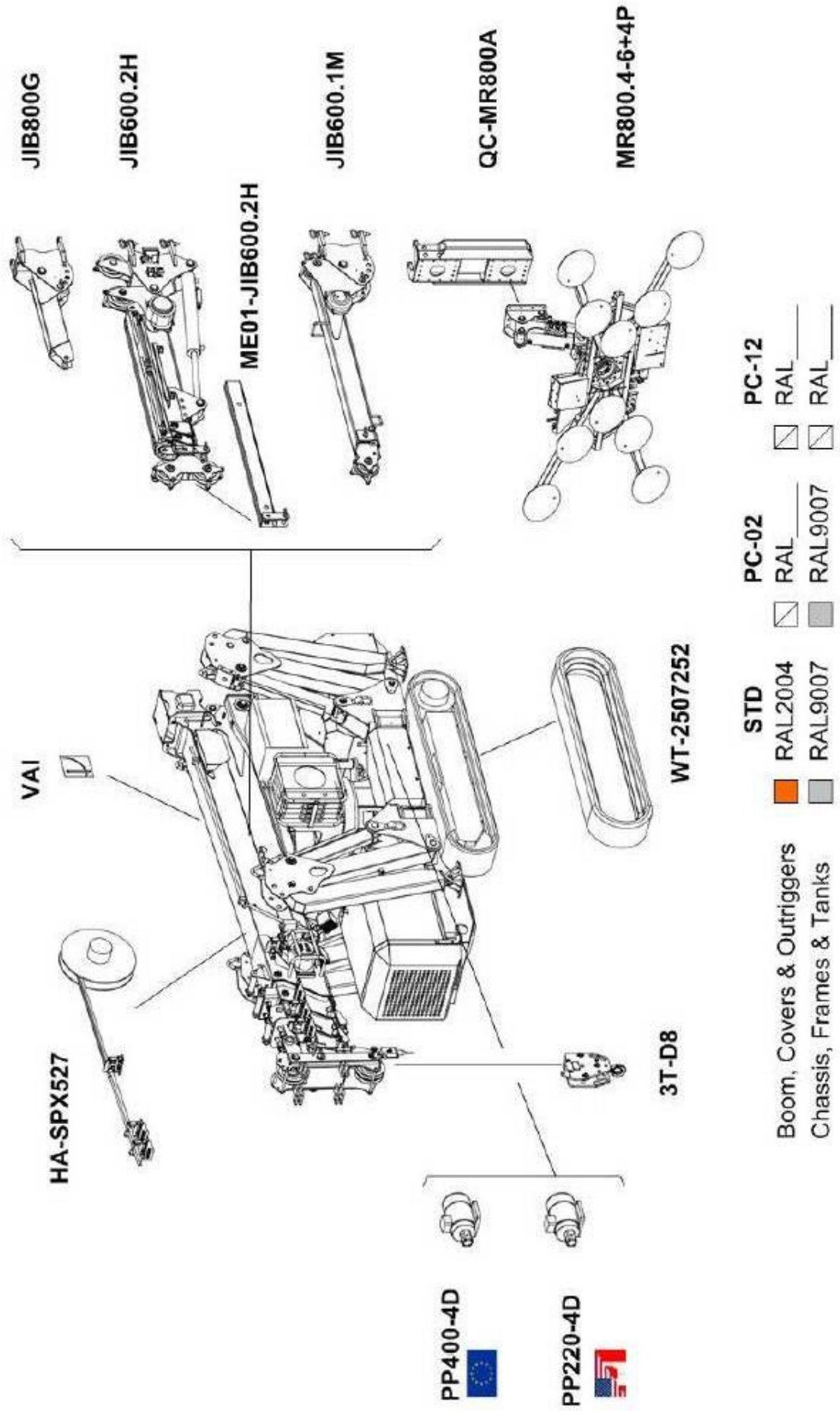
[m] [kg]											
	MR800	100%	360°	0 kg							
	3,4	4,4	5,5	6,2	6,9	7,9	8,9	9,9	10,9	12	13,5
1,0	800										
2,0	800	800	800	800	800	800	800	800			
2,5	800	800	800	800	800	800	800	800	800	700	
3,0	800	800	800	800	800	800	800	800	800	700	500
4,0		800	800	800	800	800	800	800	700	600	400
4,6			800	800	800	800	800	700	600	400	300
5,0				700	700	600	600	500	400	300	200
6,0				600	600	400	400	300	300	200	100
7,0						400	300	200	200	100	50
8,0							300	200	100	50	50
9,1								150	50	50	50

SPX0527.00.02.430.0.05.15.A

[m] [kg]			
	MR800	0°-180°	0 kg
	3,4	4,0	
1,0	200	100	
4,0	200	100	

SPX0527.00.03.430.0.05.15.A

# ACCESSORIES



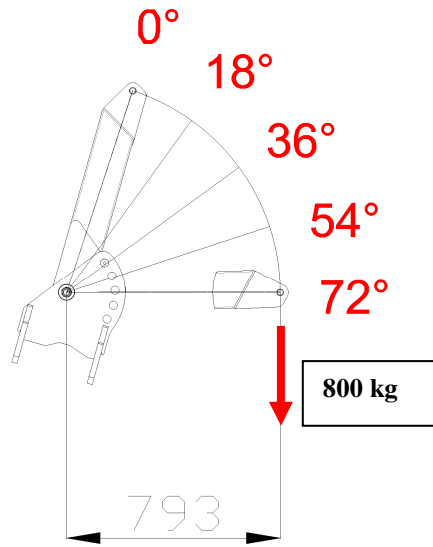
**Boom, Covers & Outriggers**  
**Chassis, Frames & Tanks**

- |            |   |   |   |
|------------|---|---|---|
| <b>STD</b> | <input checked="" type="checkbox"/> RAL2004 | <input checked="" type="checkbox"/> RAL | <input checked="" type="checkbox"/> RAL |
|            | <input type="checkbox"/> RAL9007            | <input type="checkbox"/> RAL9007        | <input type="checkbox"/> RAL            |



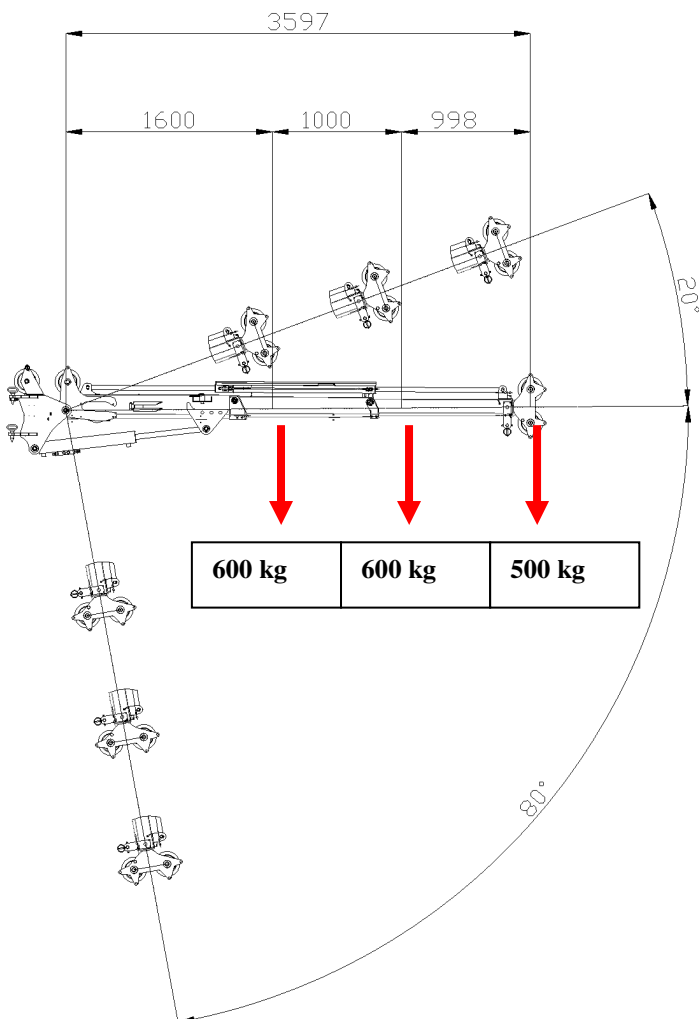
# ACCESSORIES FEATURES

JIB 800G

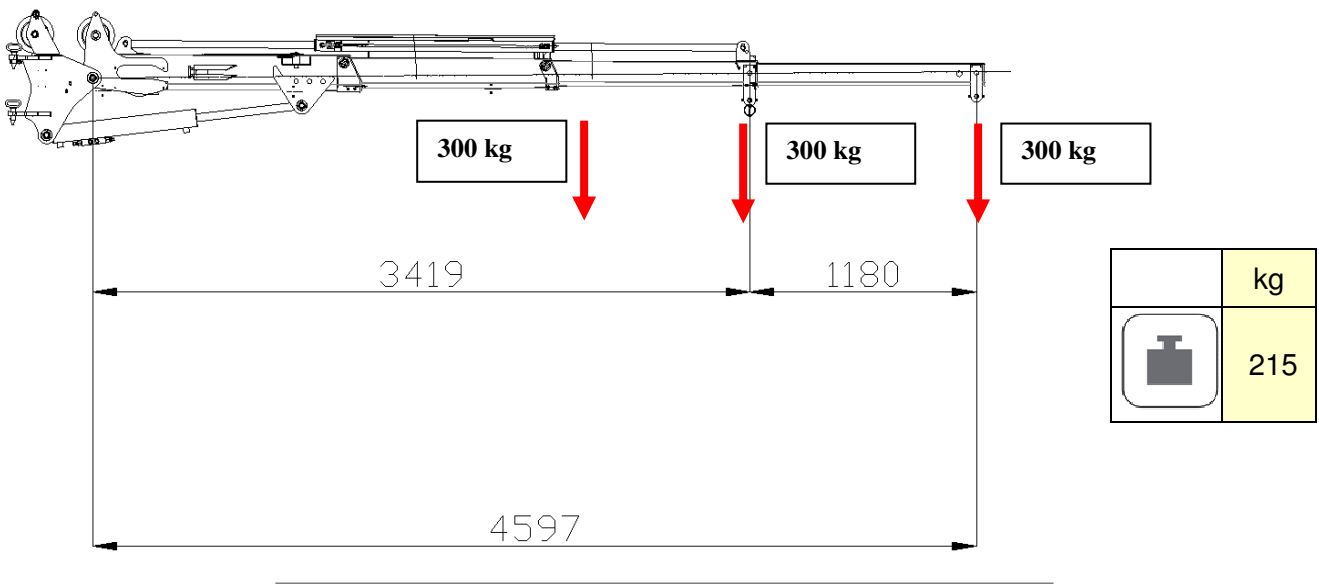
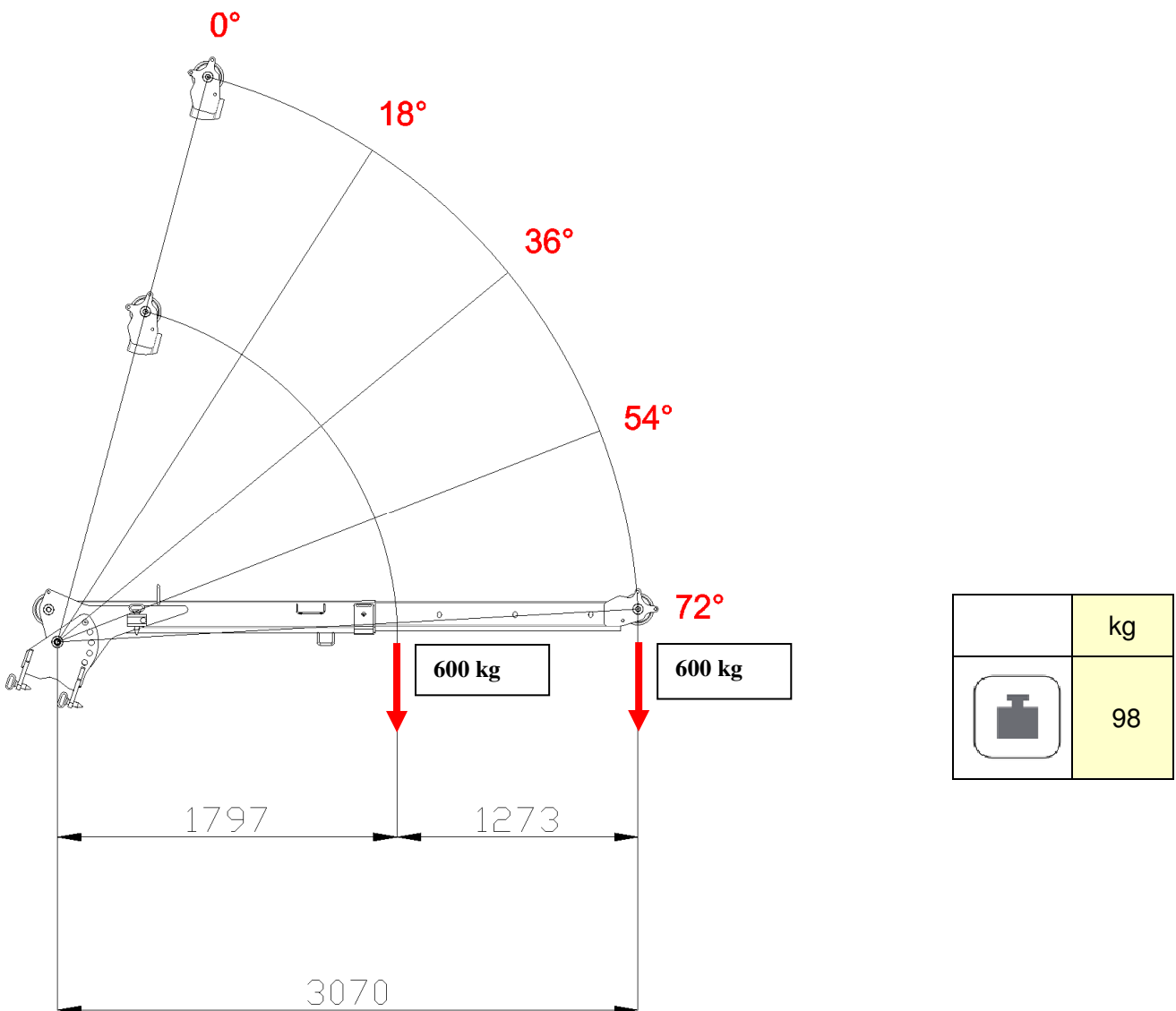


	kg
	26

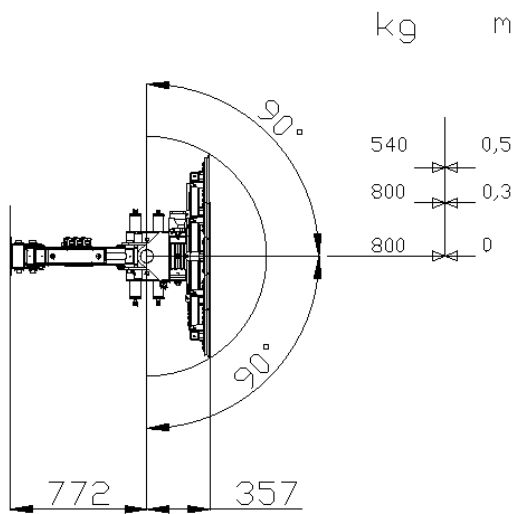
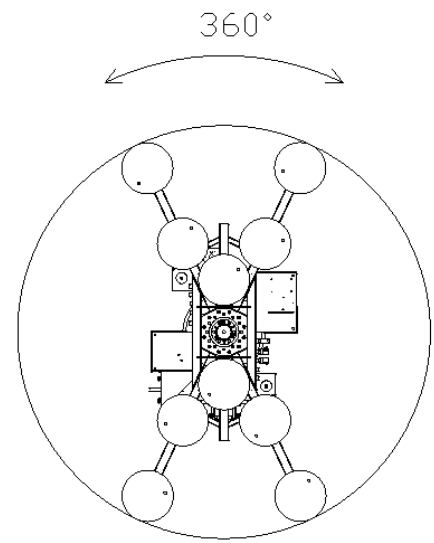
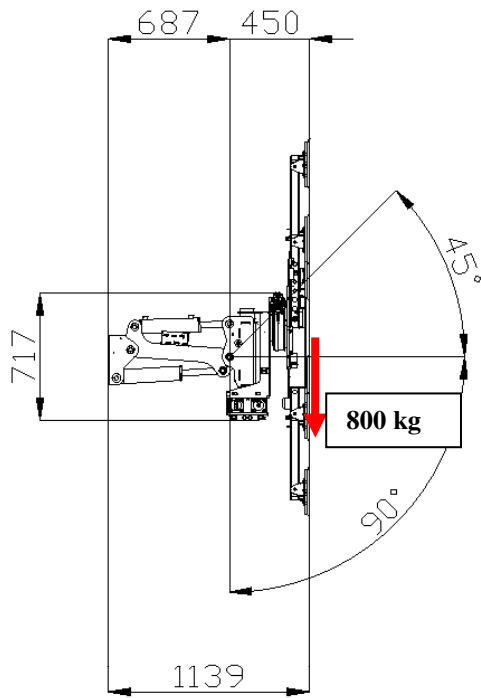
JIB 600.2H



	kg
	210





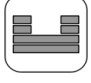


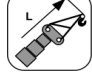



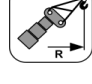







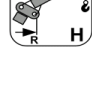




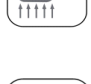
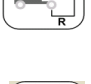

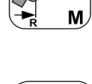
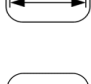

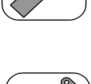
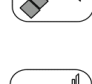


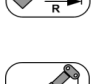




**JIB 600.2H + STINGER**

**JIB 600.1M**


**MR 800.4**



	kg
	295

# SYMBOLS

	Weight		Chart Wheels		Engine		Jib Length and Angle
	Counterweight		Minipicker		Diesel Fuel		Jib Length
	Crane		Back Wheel Point Loading		Gasoline Fuel		Jib Radius
	Travel Speed		Front Wheel Point Loading		Tank		Hydraulic Jib Length
	Gradeability		Travel Speed		Battery		Hydraulic Jib Radius
	Outrigger Load		Gradeability		Power		Mechanical Jib Length
	Track Loading		Working Radius		Boom Angle		Mechanical Jib Radius
	Outriggers Setup		Hookblock		Boom Length		Manipulator Length
	Ext Tracks Width		Slewing		Boom Radius		Manipulator Radius
	Chart On Tracks		Slewing Locked		Jib Hook Radius		





NOTES

A large, empty rectangular box with a thin black border, intended for taking notes.



NOTES

A large, empty rectangular box with a thin black border, intended for taking notes.



NOTES

A large, empty rectangular box with a thin black border, intended for taking notes.



DEALER



ORMET S.p.A. via Campardone, 7 Z.I. 31014 Colle Umberto (TV)  
Italy tel. +39 0438 434443 fax +39 0438 430115  
[www.jekko.it](http://www.jekko.it) - [www.ormet.it](http://www.ormet.it) - [info@jekko.it](mailto:info@jekko.it)